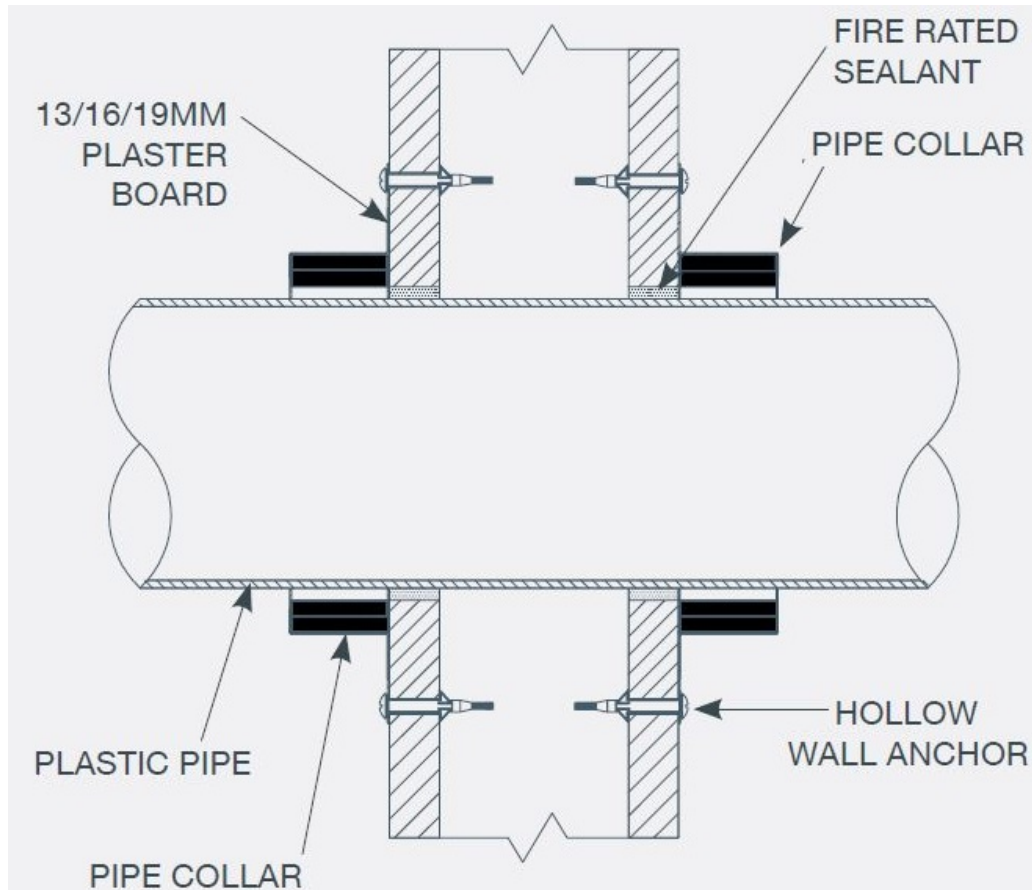


Allproof Low Profile Fire Collar Plastic Pipe through a Plasterboard Wall Single Layer 13mm, 16mm or 19mm Fire Board or 13mm Standard Board See pgs 2-4 for details

INSTALLATION INSTRUCTIONS:

1. Ensure substrate around the service is flat and free from obstructions.
2. Seal the annular space between the plasterboard and the pipe with Allproof MAS310 fire sealant to the depth of the plasterboard.
3. Open pipe collar and position around the service.
4. Slide tab through slot in pipe collar and fold back 180° to secure.
5. Secure collar using metal hollow wall anchors fixed directly into the plasterboard. Do not use fixings which rely on plastic or nylon components for grip.



As a part of our policy of on-going product development and testing, we reserve the right to modify, alter or change product specifications without giving notice. All information contained in this document is given in good faith and is provided for guidance only. Any drawings provided are for illustrative purposes only. As Firestop Centre has no control over the methods or competence of installation and of prevailing site conditions, no warranties, expressed or implied, is intended to be given as to the actual performance of the product mentioned or referred to herein and no liability whatsoever will be accepted for any loss, damage or injury arising from the use of the information given.

For all technical details on the products specified please refer to the technical data sheets that can be found on www.firestopcentre.co.nz

Signed and approved:

System/FPA Register ID# FC737

Products	Allproof Low-Profile Fire Collar
Application	Fire stopping of plastic pipe in single layer plasterboard wall
Construction	Minimum wall thickness 90mm with single layer 13,16,19mm board each side

Fire Classification:

See pages 2-4 for details of pipe types, sizes and FRR ratings for:

PVC up to 150mm diam

PVC with socket up to 100mm diam

HDPE up to 110mm diam

Ploybute up to 28mm diam

PEX up to 25mm diam

Ruapiano PP-MD up to 100mm diam

D Blue PP-MD up to 110mm diam

PP-R up to 110mm diam

PEX/AL/PEX up to 20mm diam

PEX/AL/PE up to 20mm diam

PE-RT/AL/PE-RT up to 40mm diam

PB up to 20mm diam

ALLPROOF

INDUSTRIES

Allproof Industries Ltd
 17 Bay Park Place
 Beach Haven, AK 0626

Sheet size:	Drawn date & no:
A4	28/7/21

Scale:	Drawn by:
NTS	G.P

13MM PLASTERBOARD WALL TEST RESULTS:

NOMINAL PIPE SIZE (MM)	NOMINAL PIPE WALL THICKNESS (MM)	PRODUCT CODE	PENETRATION HOLE SIZE (MM)	PLASTERBOARD WALL FRL*	REPORT NUMBER
PVC PLASTIC PIPE					
25	2.1	ALLFC25	30	-/60/60	13509
40	2.0	ALLFC40	47	-/60/45	143281-001
50	2.2	ALLFC50	57	-/60/60	5572
65	2.7	ALLFC65	72	-/60/60	5810
80	2.9	ALLFC80	87	-/60/60	5572
100	3.2	ALLFC100	112	-/60/60	5810
PVC PLASTIC PIPE - WITH SOCKET					
40	Socket	ALLFC40	48	-/60/45	180434.3
50	Socket	ALLFC50	62	-/60/45	180434.3
100	Socket	ALLFC100	117	-/60/60	180434.3
POLYBUTE					
12	1.9	ALLFC25	16	-/60/30	190057
15	1.6	ALLFC25	20	-/60/30	190057
20	2.1	ALLFC25	25	-/60/45	190057
28	3.0	ALLFC25	32	-/60/60	190057
PEX PIPE					
16	2.6	ALLFC25	19	-/60/60	143281-001
20	2.9	ALLFC25	25	-/60/60	143281-001
25	3.5	ALLFC25	30	-/60/60	13509
RAUPIANO PP-MD					
40	1.8	ALLFC40	47	-/60/45	143281-001
50	1.8	ALLFC50	57	-/60/45	143281-001
100	2.7	ALLFC100	117	-/60/60	143281-001
D BLUE PP-MD					
50	1.3	ALLFC50	57	-/90/60	180355.1
75	1.3	ALLFC80	86	-/90/60	180355.1
110	2.2	ALLFC100	121	-/90/60	180355.1
PE-RT/AL/PE-RT					
16	2.2	ALLFC25	20	-/60/45	190083
20	2.2	ALLFC25	25	-/60/45	190083
25	2.7	ALLFC25	29	-/60/45	190083
32	3.1	ALLFC40	38	-/60/45	190083
40	4.3	ALLFC40	44	-/60/0	190083
OTHER PLASTIC PIPE					
25 PP-R (SDR 11)	2.3	ALLFC25	29	-/60/45	143281-001
32 PP-R (SDR 11)	2.9	ALLFC40	38	-/60/60	13509
16 PEX/AL/PEX	2.0	ALLFC25	19	-/60/45	5810
20 PEX/AL/PEX	3.1	ALLFC25	25	-/60/45	5810
20 PEX/AL/PE	2.9	ALLFC25	30	-/60/60	13509

* Tested using a 64mm wide steel stud with a single layer of 13mm fire rated plasterboard on each side of the frame. A total wall thickness of 90mm. Fire collars are fixed using hollow wall anchors directly into plasterboard - not fixed into framing or studs in wall. Intumescent sealant is applied in the space between the pipe and plasterboard on both the exposed and unexposed face.

STANDARD NON-FIRE RATED 13MM PLASTERBOARD WALL TEST RESULTS:

NOMINAL PIPE SIZE (MM)	NOMINAL PIPE WALL THICKNESS (MM)	PRODUCT CODE	PENETRATION HOLE SIZE (MM)	PLASTERBOARD WALL FRL*	REPORT NUMBER
PVC PLASTIC PIPE					
40	2.5	ALLFC40	52	-/30/30	13088
50	2.5	ALLFC50	67	-/30/30	13088
80	3.1	ALLFC80	92	-/30/30	13088
100	3.5	ALLFC100	117	-/30/30	13088
OTHER PLASTIC PIPE					
20 PEX	3.2	ALLFC25	25	-/30/30	13088
20 PB	2.4	ALLFC25	25	-/30/30	13088
32 PP-R (SDR 11)	3.7	ALLFC40	38	-/30/30	13088

* Tested using a 64mm wide steel stud with a single layer of 13mm standard non-fire rated plasterboard on each side of the frame. A total wall thickness of 90mm. Fire collars are fixed using 8mm diameter x 10-16mm 416 hollow wall anchors directly into plasterboard - not fixed into framing or studs in wall. Intumescent sealant is applied in the space between the pipe and plasterboard on both the exposed and unexposed face.

16MM PLASTERBOARD WALL TEST RESULTS:

NOMINAL PIPE SIZE (MM)	NOMINAL PIPE WALL THICKNESS (MM)	PRODUCT CODE	PENETRATION HOLE SIZE (MM)	PLASTERBOARD WALL FRL*	REPORT NUMBER
PVC PLASTIC PIPE					
40	2	ALLFC40	47	-/90/60	200379
PEX PIPE					
16	2	ALLFC25	19	-/90/60	200379
20	3	ALLFC25	25	-/90/60	200379
25	4	ALLFC25	30	-/90/60	200379

* Tested using a 64mm wide steel stud with a single layer of 16mm fire rated plasterboard on each side of the frame. A total wall thickness of 96mm. Fire collars are fixed using M8 hollow wall anchors to suit 10-16mm plasterboard- not fixed into framing or studs in wall. Intumescent sealant is applied in the space between the pipe and plasterboard on both the exposed and unexposed face.

19MM PLASTERBOARD WALL TEST RESULTS:

NOMINAL PIPE SIZE (MM)	NOMINAL PIPE WALL THICKNESS (MM)	PRODUCT CODE	PENETRATION HOLE SIZE (MM)	PLASTERBOARD WALL FRL*	REPORT NUMBER
PVC PLASTIC PIPE					
40	2.0	ALLFC40	47	-/120/90	4041
50	2.2	ALLFC50	57	-/120/90	3808
65	2.7	ALLFC65	72	-/120/90	4373
80	2.9	ALLFC80	87	-/120/90	4041
100	3.2	ALLFC100	112	-/120/90	4466
150	4.5	ALLFC150	162	-/90/60	4289
HDPE PLASTIC PIPE					
50	3.0	ALLFC50	52	-/120/120	4466
75	3.0	ALLFC80	77	-/120/90	4373
110	4.3	ALLFC100	112	-/120/90	4466
PP-R PLASTIC PIPE (SDR 7.4)					
40	5.5	ALLFC40	42	-/120/90	4373
50	6.9	ALLFC50	52	-/120/90	4373
63	8.6	ALLFC65	65	-/90/90	4584
75	10.3	ALLFC80	77	-/90/30	4584
110	15.1	ALLFC100	112	-/30/30	4584

* Tested using a 92mm wide steel stud with a single layer of 19mm fire rated plasterboard on each side of the frame. A total wall thickness of 130mm. Fire collars are fixed using hollow wall anchors directly into plasterboard - not fixed into framing or studs in wall. 25mm fire collars tested in the wall penetration not exposed outside of wall.

13/16/19MM PLASTERBOARD INSTALLATION DETAILS:

